



Modern Extra Wide-Range Antenna for Wide Entrances

Modern design that matches perfectly with any kind of store interior

• Each antenna is a stand-alone unit that can be used alone or together with other Stargate antennas

• Thanks to its wide detection range, one antenna can cover the whole entrance depending on the aisle width

• Particularly suitable for shops with larger entrances

• When installed in super and hyper-market environments the customer often chooses antenna protection

Key Features

- Stand-alone antenna
- Extra wide detection range
- Modern design
- Robust and durable
- Jammer alarm
- One electronic box operates up to six antennas

Options

- Antenna protection
- Stargate Xtenders can be used when up to 20cm extra detection range is required



Stargate Silver XL





Stargate Silver XL

High-Quality Hard Tags and Labels

Gateway offers a full range of high-quality hard tags and labels, specially designed for our systems. Find our complete range in the Gateway Consumables product brochure!

Electronic Box

All AM (acousto-magnetic) antennas operate with an electronic box. The standard configuration per electronic box is three antennas. However, depending on the design of the store, up to six antennas can be connected to one box.



Robust and durable (here equipped with antenna protection)



Particularly suitable for larger entrances (here equipped with antenna protection)

Specifications

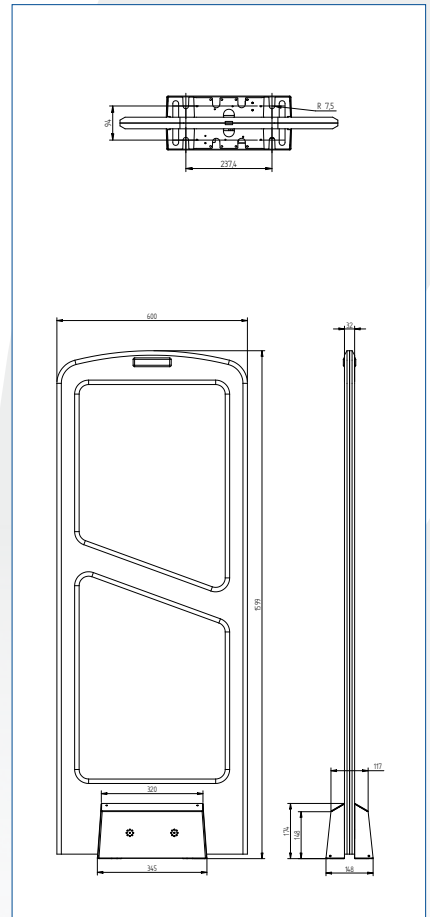
Art. no.	8004v3
Width	600mm
Height	1576mm
Thickness	32mm
Thickness at base	150mm
Weight	18kg
Standard frequency	58kHz
Colour	RAL 9006
Approvals	CE, FCC

Detection Range^{1) 2)} Up to

AM Label	1.00m
Polar Tag AM	1.10m
A3 Tag AM	1.40m

¹⁾ Detection range on each side of antenna

²⁾ Tested with Gateway tags in different orientations. Effective rate of detection is influenced by the store environment.



Authorised Dealer:



WEB www.ktk.com.ve
TELF +58-212-5528614 / +58-212-5513952
EMAIL ventas@ktk.com.ve



www.gateway-security.com

Gunnebo Gateway AB is a Swedish supplier of anti-theft systems for the retail sector worldwide. We are the only company to develop, manufacture and market solutions built on every existing form of Electronic Article Surveillance (EAS) technology.

